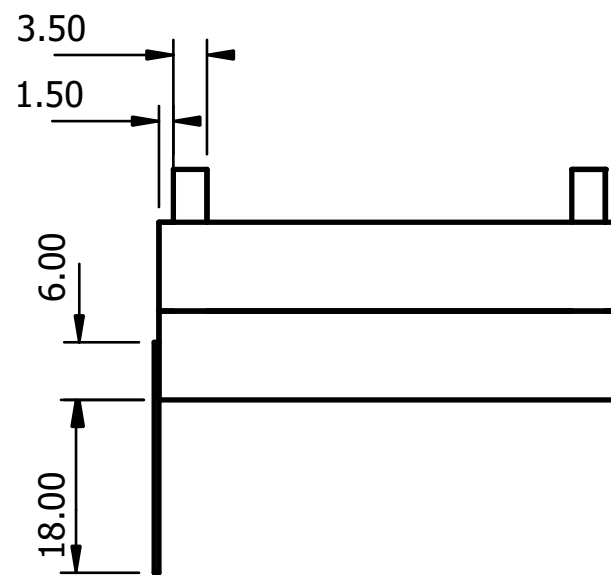
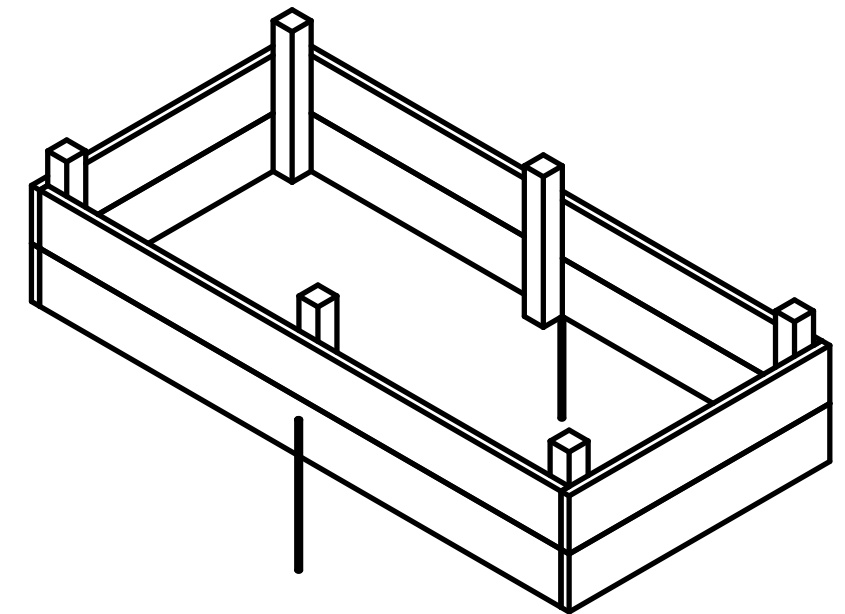


Front



Right



Planting Area: 29.5 ft²
 Volume: 1.6 yd
 2020 Cost: \$76.43

Sizing Information

PN	CUT PARTS QTY	CUT PART DESC	BOM QTY	BOM DESC	MCCOYS PN
1	4	2x10x4'	6	2x10x8'	010912
2	4	2x10x8' (nocut)	0	-	-
3	6	4x4x2'	1	4x4x12'	011009
4	2	0.375" Rebar (nocut)	2	0.375" Rebar	040180
5	-	-	56	3.0" Coarse Screw	12124818

Bill of Materials and Cut List

1. Cut PN-3 into 6 x 2 ft. pieces.
2. Cut 2 of PN-1 into 4 x 4 ft. pieces.
3. Build long walls by placing PN-3 4x4 posts at ends and center. Use 2 screws per PN-2 2x10x8 runner per post, for a total of 6 screws per PN-2 2x10x8s.
4. Build short walls by screwing PN-1 short runners flush with long walls. Use 8 screws per PN-1, 2 in each post and 2 into the end of each PN-2 long runner.
5. Shore up long walls by driving rebar pin roughly 18 inches into the ground while flush with long wall.
6. If desired, use extra 2x2x4 board or wire over the top of the center posts to increase rigidity.

Suggested Assembly



AUTHOR NAME : Clayton		4x8 Raised Bed Simple, easy, cheap, long-lasting		I	_____
DATE : 23-APR-2020				H	_____
SUPERVISOR NAME :		COMPANY : Deft Systems, LLC		G	_____
DATE :		VERSION :		F	_____
FORMAT : A3	WEIGHT (kg) :	VERSION :	SHEET :	E	_____
SCALE : 1:20	358 green	2090001-001 4x8 Raised Bed, Treated	1 of 1	D	_____
Public Release				C	_____
				B	_____
				A	23-APR-2020